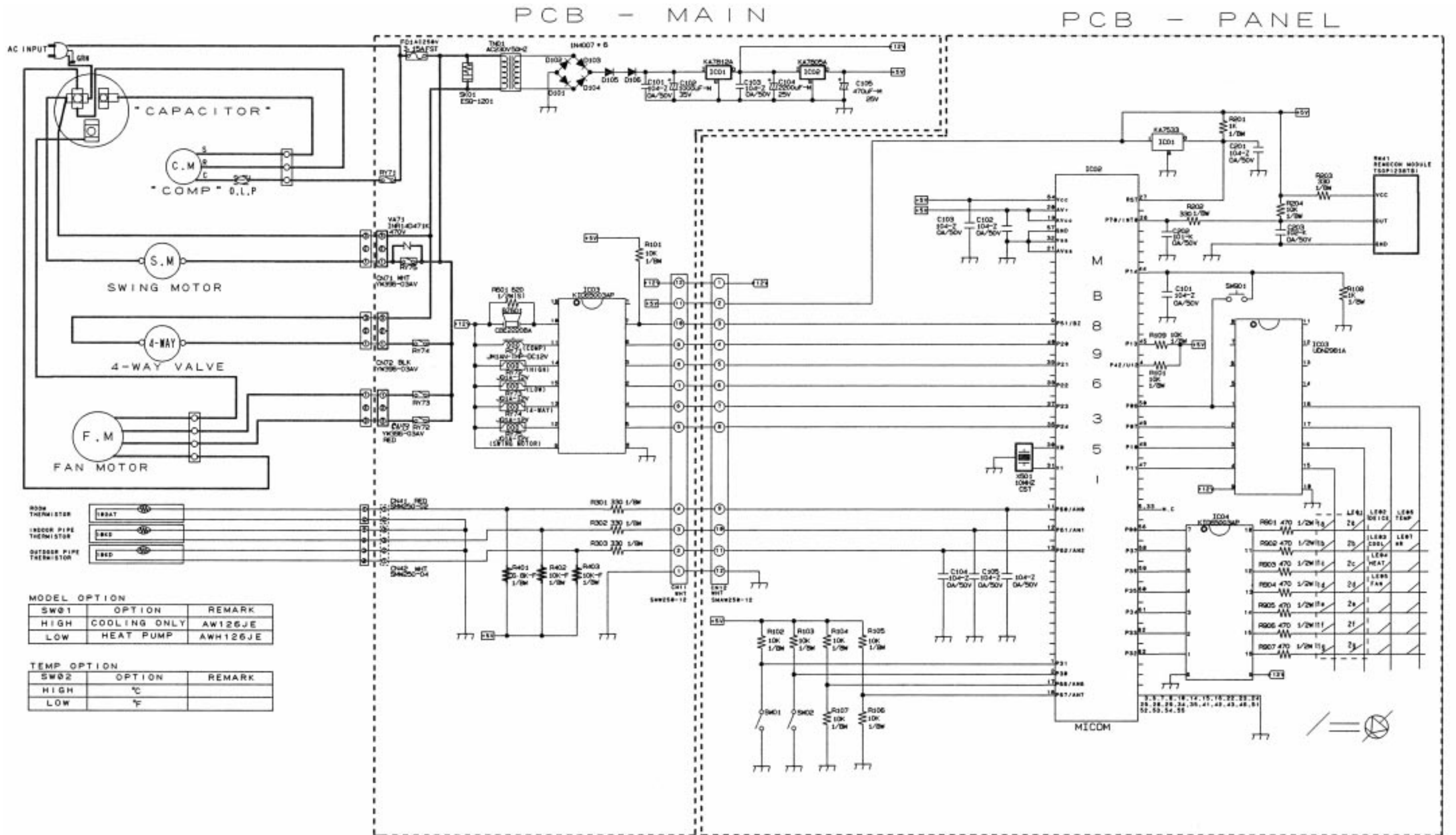


10. Schematic Diagrams

10-1 Indoor Unit



10-2 Remote Control

