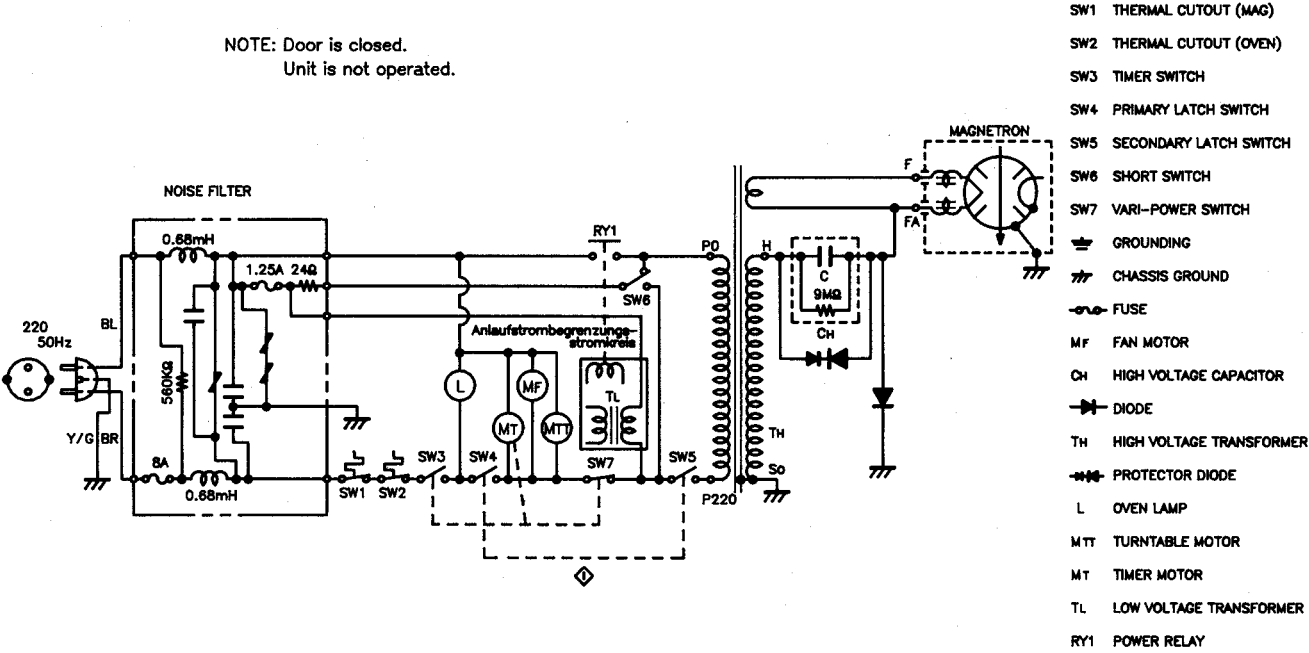


SCHEMATIC DIAGRAM (NN-6252)

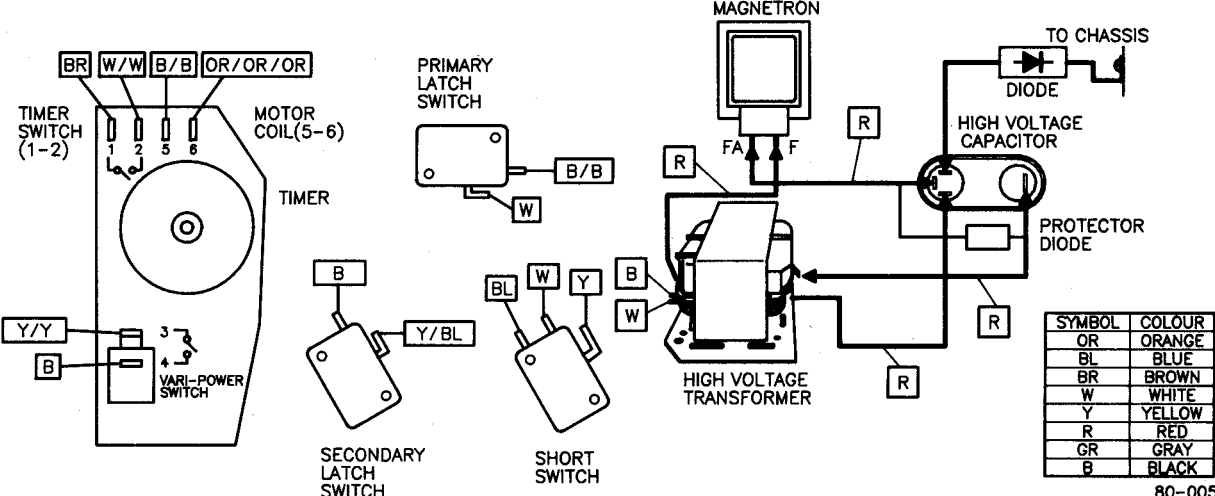
NOTE: Door is closed.
 Unit is not operated.



- SW1 THERMAL CUTOUT (MAG)
- SW2 THERMAL CUTOUT (OVEN)
- SW3 TIMER SWITCH
- SW4 PRIMARY LATCH SWITCH
- SW5 SECONDARY LATCH SWITCH
- SW6 SHORT SWITCH
- SW7 VARI-POWER SWITCH
- ⏏ GROUNDING
- ⏏ CHASSIS GROUND
- ⏏ FUSE
- MF FAN MOTOR
- Ch HIGH VOLTAGE CAPACITOR
- ⏏ DIODE
- TH HIGH VOLTAGE TRANSFORMER
- ⏏ PROTECTOR DIODE
- L OVEN LAMP
- MT TURNTABLE MOTOR
- MT TIMER MOTOR
- TL LOW VOLTAGE TRANSFORMER
- RY1 POWER RELAY

WIRING DIAGRAM

NOTE: When replacing, check the lead wire colour as shown.

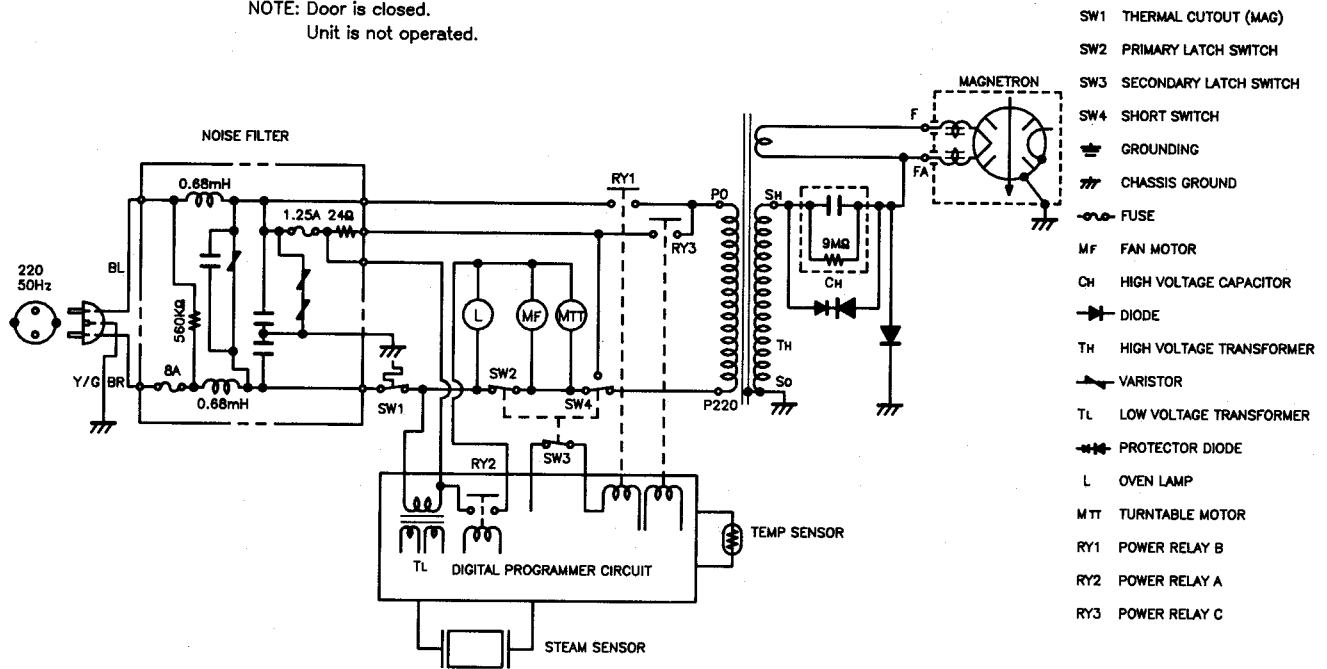


80-005

Fig. 1

SCHEMATIC DIAGRAM (Touch control models)

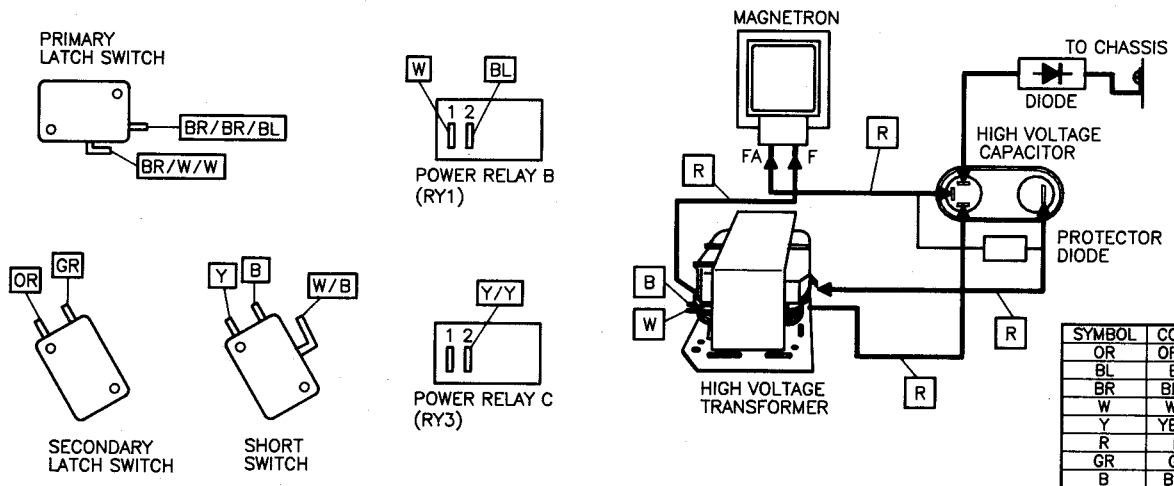
NOTE: Door is closed.
Unit is not operated.



- SW1 THERMAL CUTOUT (MAG)
- SW2 PRIMARY LATCH SWITCH
- SW3 SECONDARY LATCH SWITCH
- SW4 SHORT SWITCH
- ⏏ GROUNDING
- ⏏ CHASSIS GROUND
- ⏏ FUSE
- MF FAN MOTOR
- CH HIGH VOLTAGE CAPACITOR
- ⏏ DIODE
- TH HIGH VOLTAGE TRANSFORMER
- ⏏ VARISTOR
- TL LOW VOLTAGE TRANSFORMER
- ⏏ PROTECTOR DIODE
- L OVEN LAMP
- MTT TURNTABLE MOTOR
- RY1 POWER RELAY B
- RY2 POWER RELAY A
- RY3 POWER RELAY C

WIRING DIAGRAM

NOTE: When replacing, check the lead wire colour as shown.



| SYMBOL | COLOUR |
|--------|--------|
| OR | ORANGE |
| BL | BLUE |
| BR | BROWN |
| W | WHITE |
| Y | YELLOW |
| R | RED |
| GR | GRAY |
| B | BLACK |

80-006

Fig. 2